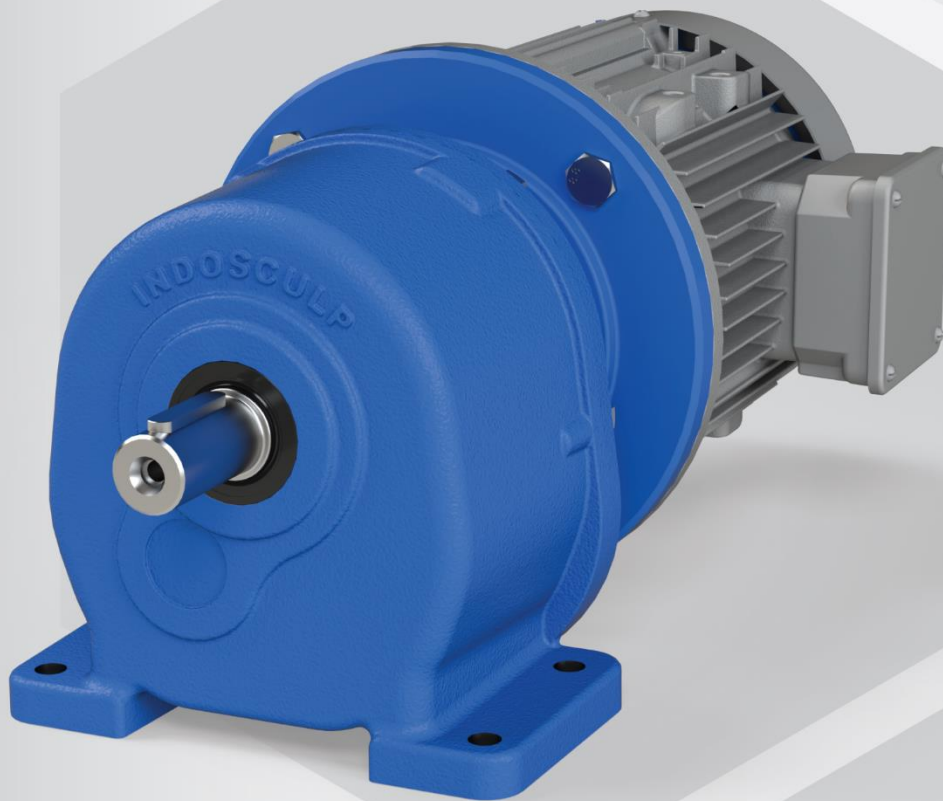


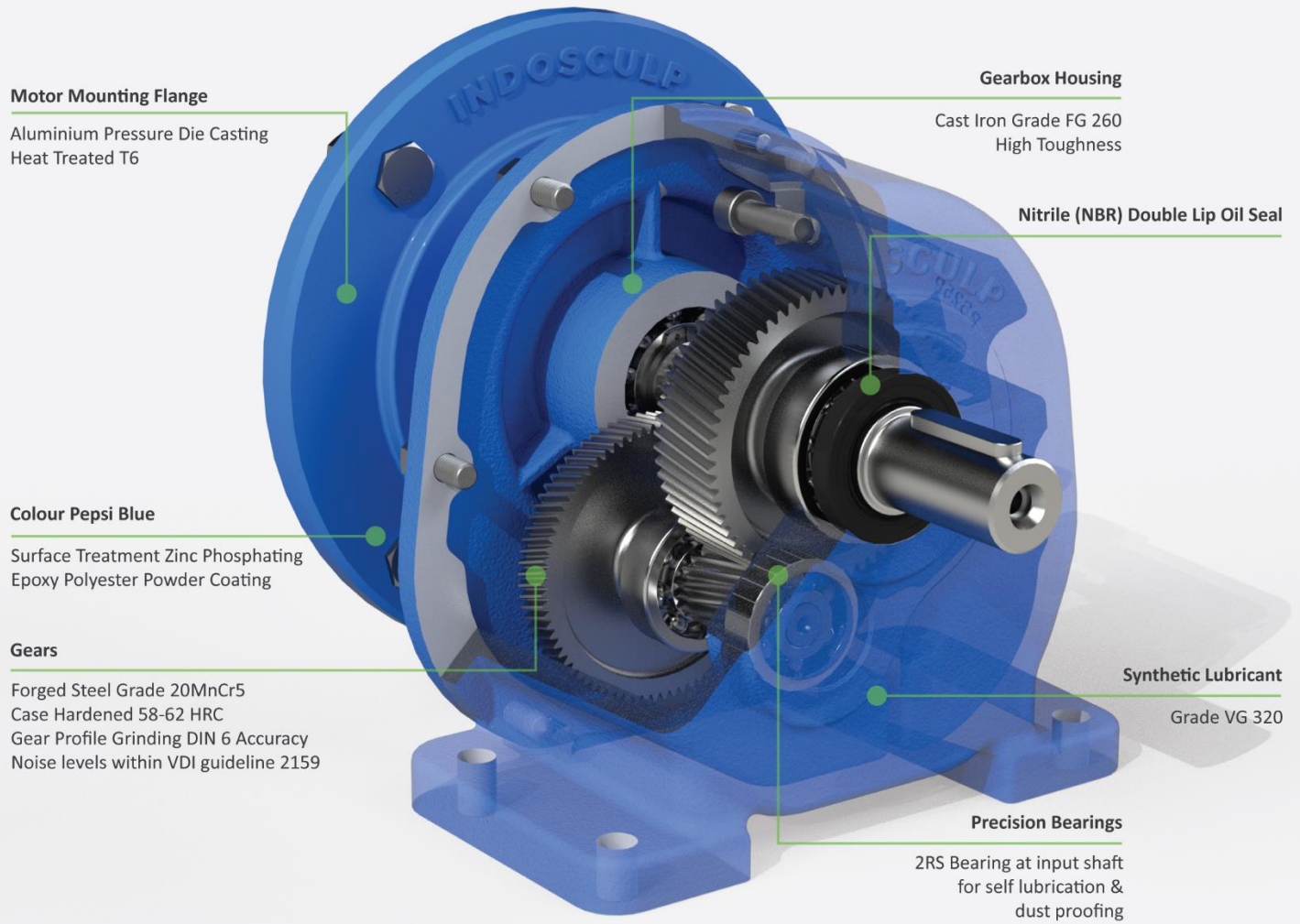
Inline Helical Gearboxes & Gearmotors



PS SERIES



Technical Features



- > The gear units are designed in unibox housing to consume optimal installation space and can operate in harsh environments with minimum downtimes. Strict quality control measures are adopted at each stage of manufacturing and assembly of the gearbox
- > All units are suitable to fit with any standard IC motor
- > Inspection Standards:

Surface hardness	UNE 7-257-72
Alignment of shaft to output flange	DIN 42955
Shaft seal tightness	Test at 1Kg/cm ²
Noise levels	Within the limits specified in VDI 2159

Designation for Gearbox

PS 30 2S P 14.01 080 B5 B3

Mounting Position

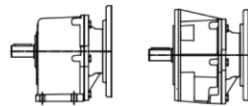
PS P **B3**(default), **B6, B7, B8, V5, V6**

PS F **B5**(default), **B51, B53, B52, V1, V3**

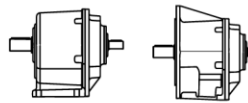
Motor Mounting

B5

Input Configuration



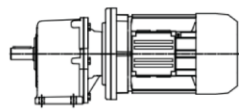
071, 080, 090, 100, 112



HS

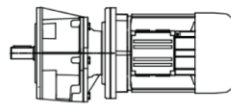
Ratio

Mounting Version



P

Foot Type



F

Flange Type

Reductions

2S = 2 Stage

3S = 3 Stage

Frame Size

25, 30, 35

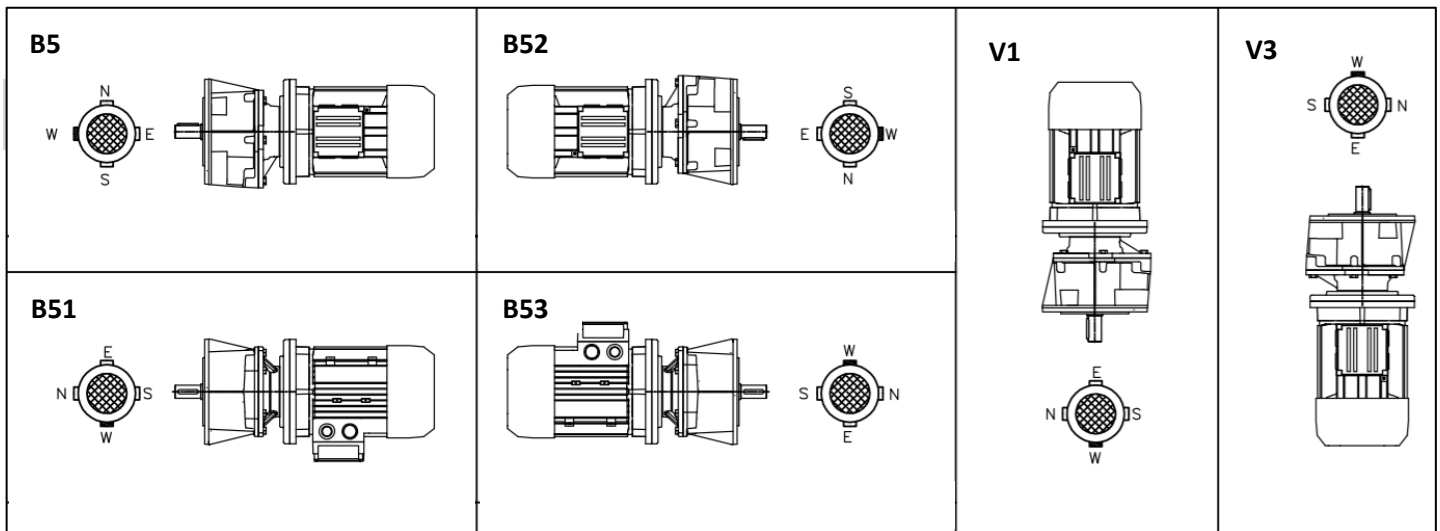
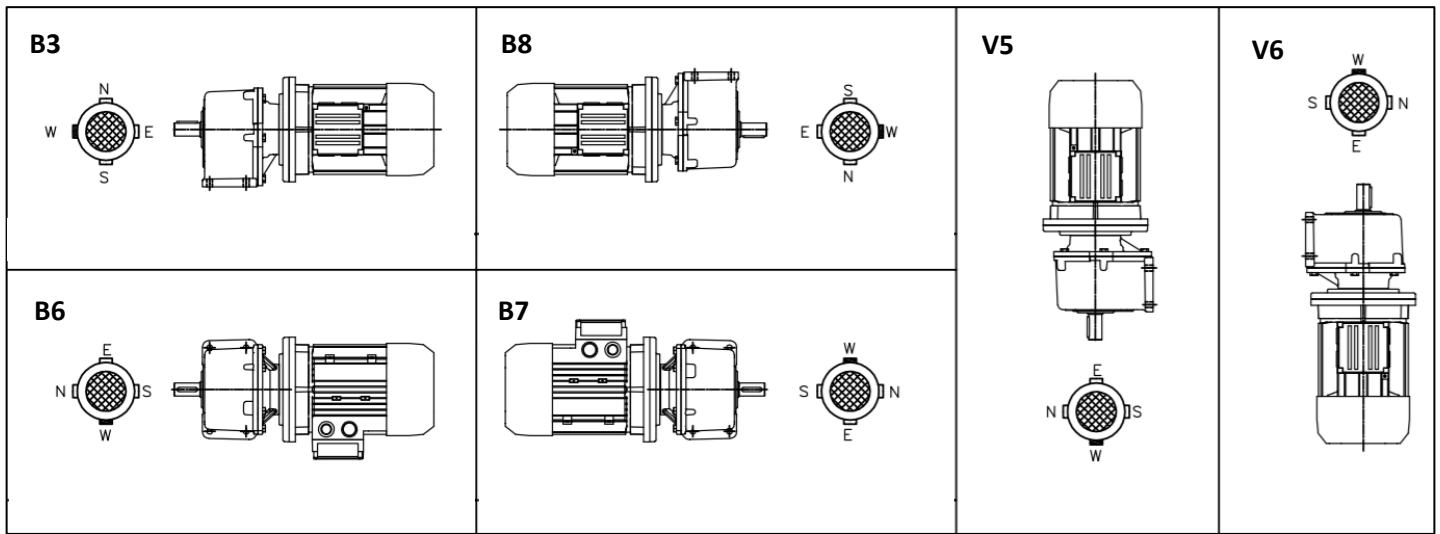
Gearbox Type

Symbols and Units of Measurement

Symbol	Unit	Description
n_2	rpm	Output rpm
M_2	Nm	Output Torque
Sf_1	-	Service Factor
i	-	Ratio
Rn_2	N	Permissible Overhung Load at Output Shaft
Rn_1	N	Permissible Overhung Load at Input Shaft
Mn_2	Nm	Rated torque at Output Shaft
Pn_1	N	Rated torque at Input Shaft

Mounting Position

Location of motor terminal boxes can be specified by viewing the motor from the fan side; standard location is represented by 'W', as in the below table.



Lubrication

The PS speed reducer sizes 25, 30, 35 are factory filled with long life synthetic lubricant, IPOL VG 320.

There is no need for periodical lubricant changes. The reducers are sealed; therefore, they feature no fill, drain and level plugs. Oil quantity allows any mounting position.

Operation of gear units is permitted at ambient temperatures between -20°C and $+40^{\circ}\text{C}$. However, for temperatures between -20°C and -10°C unit may only start up after it has been progressively pre-heated, or otherwise initially operated unloaded. Load may then be connected to the output shaft when the gear unit has reached the temperature of -10°C , or higher.

Should you carry out, for any reason, the complete change of original lubricant, the following table indicates quantity to be used.

Model	Lubricant (Litres)
PS 25	0.75
PS 30	1.50
PS 35	1.50

Selection Guidelines for Helical Gearbox

Data required for selection

- P_{n1} – Motor Power/ Input Power/ Transmitted Power [kW]
- n_1 – Input Speed [rpm]
- n_2 – Output Speed [rpm]
- i – Required Ratio
- Type of Driven Machine or nature of load on driven machine (Uniform, Moderate Shock, Heavy Shock Load, etc)
- Duration of service per day, hours
- Connection of output shaft (direct coupling, belt drive, chain/sprocket drive, gears, etc)
- Starting frequency (no. of starts per hour)
- Type of geared motor/ gear unit required
- Mounting Position

Steps for Selection

- 1) **Power Rating:** Refer Speed Reducer Rating charts
- 2) **Service Factor:** For selecting proper size of gear unit a suitable service factor is to be considered over motor power.

Steps to calculate Service Factor:

- i) Type of Load:
 - U – Uniform Load**
 - M – Moderate Shock Load**
 - H – Heavy Shock Load**
 (Refer – Load Classification table)
- ii) Mechanical Service Factor (f_1):
Refer table to find f_1 as per the **Duration of Service (hours per day)**

Duration of Service (Hours per day)	Load classification of driven machine		
	Uniform Load (U)	Moderate Shock Load (M)	Heavy Shock Load (H)
0-3	0.80	1.00	1.50
3-10	1.00	1.25	1.75
10+	1.25	1.50	2.00

Overhang Member	K
Chain Sprocket	1.00
Spur/ Helical Gear	1.25
Vee Belt Pulley	1.5
Flat Belt Pulley	2

- iii) Frequency Starts Factor (Sf_2)

Now considering Sf_1 and **starts per hour**, find your Sf_2 by referring the table.

Starts/hr	Mechanical Service Factor (Sf_1)					
	0.8	1	1.25	1.5	1.75	2
1	1.00	1.00	1.00	1.00	1.00	1.00
2-20	1.20	1.10	1.08	1.07	1.07	1.06
21-40	1.30	1.20	1.17	1.18	1.15	1.08
41-80	1.50	1.40	1.25	1.23	1.18	1.10
81-160	1.60	1.50	1.35	1.30	1.20	1.15
161-320	2.00	1.80	1.70	1.80	1.50	1.40

- iv) Service Factor = $Sf_1 \times Sf_2$

- 3) **Overhung Load:** When a sprocket/gear, etc. is used at the output shaft for transmitting power, the suitability of gear unit to take resulting radial load (acting as overhung load) is to be decided.

This can be checked using the formula:

$$R = \frac{P_{n1} \times 9550 \times k}{n_2 \times D} \times 2000 \text{ [N]}$$

Where, P_{n1} = Motor Power/ Input Power [kW]

K = Load Factor [kg]

n_2 = Output Speed [rpm]

D = Pitch Diameter of overhung load member [mm]

The calculated overhung load is to be compared with the allowable overhung load values (R_{n2}) given in Gearmotor selection chart & Speed Reducer Rating charts.

NOTE: The above calculated overhung load is taken as acting at the middle of output shaft extension. If the overhang load is acting at a distance other than middle of extension, refer the details to us. If the angle at which the overhung load acting is known, the same may also be informed.

The bearings of o/p shaft are capable of taking certain amount of externally applied axial thrust loads. If the o/p shaft is to take combined radial overhang load & axial thrust load, refer the full details to us.

Load Classification Table

Agitators		Conveyors	M	Small Waste Conveyor - Belt	U	Suction Roll	U
Pure Liquids	U	Cutter Head Drives	H	Small Waste Conveyor - Chain	M	Washers & Thickeners	M
Liquids and Solids	M	Jig Drives	H	Log Turning Device	H	Winders	U
Liquids - Variable Density	M	Maneuvering Winches	M	Sorting Table	M	Printing Presses	U
Semi - liquids Variable Density	M*	Pumps	M	Tipple Hoist Conveyor	M	Pullers	
		Screen Drive	H	Tipple Hoist Drive	M	Barge Haul	M
Blower		Stackers	M	Transfer Conveyor	H	Pumps	
Centrifugal	U	Utility Winches	M	Transfer Rolls	H	Centrifugal	H
Lobe	M	Elevators		Tray Drive	M	Proportioning	M*
Vane	U	Bucket - Uniform Load	U	Trimmer Feed	M	Reciprocating	
		Bucket - Heavy Load	M	Waste Conveyor	M	Single Acting	
Brewing and Distilling		Bucket - Continuous	U	Machine Tools		3 or more Cylinders	M
Bottling Machinery	U	Centrifugal Discharge	U	Bending Roll	M	Double Acting	
Brew Kettles - Continuous Duty	U	Escalators	U	Notching Press - Belt Driven	*	2 or more Cylinders	*
Cookers - Continuous Duty	U	Freight	M	Plate Planer	H	Single Acting 1 or 2 Cylinders	*
Mach Tubs - Continuous Duty	U	Gravity Discharge	U	Punch Press - Gear Driven	H	Double Acting	*
Scale Hopper Frequent Starts	M	Man Lifts	**	Tapping Machines	H	Single Cylinder	*
		Passenger	**	Main Drives	M	Rotary - Gear Type	H
Can Filling Machines	U	Service - Hand Lift	H	Auxiliary Drives	U	Rotary - Lobe, Vane	H
		Fans		Metal Mills		Rubber Industry	
Cane Knives	M	Centrifugal	M	Draw Bench - Carriage	H	Mixer	H
		Cooling Towers	**	Draw Bench - Main Drive	M	Rubber Calender	M
Car Dumpers	H	Induced Draft	M	Forming Machines	H	Rubber Mill (2 or more)	M*
		Forced Draft	**	Pinch Dryer & Scrubber rolls		Sheeter	M*
Car Pullers - Intermittent Duty	U	Large (Mine, etc)	M*	Reversing	*	Tire Building Machines	**
Clarifiers	U	Large Industrial	M*	Slitters	M*	Tire & Tube Press Openers	**
Classifiers	M	Large (Small Diameter)	U	Table Conveyors		Tubers & Strainers	M
		Feeders		Reversing	H	Sewage Disposal Equipment	
Clay Working Machinery		Apron	M	Non Reversing	M	Bar Screens	H
Brick Press	H	Belt	M	Wire Drawing & Flattening m/c	M	Chemical Feeders	H
Briquette Machine	H	Disc	U	Wire Welding Machine	M	Collectors, Circuline or Straight	H
Clay Working Machinery	M	Reciprocating	H	Mills, Rotary Type		Dewatering Screens	M
Pug Mill	M	Screw	M	Ball	H	Grit Collectors	H
		Food Industry		Cement Kilns	**	Scum Breaks	M
Compressors		Beet Slicer	M	Dryers & Coolers	M	Slow or Rapid Mixers	M
Centrifugal		Cereal Cooker	U	Kilns	M	Suldge Collectors	U
Lobe		Dough Mixer	M	Pebble	H	Thickeners	M
Reciprocating		Meat Grinders	M	Rod	H	Vaccum Filters	M
Multi Cylinder	M*	Generators (Not Welding)	U	Tumbling Barrels	H	Screens	
Single Cylinder	H*			Mixers		Air Washing	U
Conveyors - Uniformly Loaded or Fed		Hammer Mills	H	Concrete Mixers, Continuous	M	Rotary - Stone or Gravel	M
Apron	M			Concrete Mixers, Intermittent	U	Traveling Water Intake	U
Assembly	M	Laundry Washers		Constant Density	U	Slabpushers	M
Belt	M	Reversing	M	Variable Density	M	Steering Gear	M
Bucket	M	Laundry Tumblers	M	Oil Industry		Stockers	U
Chain	U			Chillers	M	Textile Industry	
Flight	U	Line Shafts		Oil Well Pumping	**	Batchers	M
Oven	U	Heavy Shock Load	H	Paraffin Filter Press	M	Calenders	M
		Moderate Shock Load	M	Rotary Kilns	M	Card Machines	M*
Conveyors - Heavy Duty Not Uniformly Loaded		Uniform Load	U	Paper Mills		Cloth Finishing Machines	
Apron	M	Lumber Industry		Agitators (Mixers)	M	(washers, pads, tenters, dryers, calenders, etc)	M
Assembly	M	Barker - Hydraulic/Mechanical	M	Barker Auxiliaries, Hydraulic	M	Dry Cans	M
Belt	M	Burner Conveyor	M	Barker, Mechanical	M	Dryers	M
Bucket	M	Chain Saw and Drag Saw	H	Barking Drum	H	Dyeing Machinery	M
Chain	M	Chain Transfer	H	Beater & Pulper	M	Knitting Machines (Looms, etc)	*
Flight	M	Chain Transfer	H	Bleacher U	U	Looms	M
Live Roll (Package)	M	Craneway Transfer	H	Calenders	M	Mangles	M
Oven	M	De-barking Drum	H	Calenders - Super	H	Nappers	M
Reciprocating	H	Edger Feed	M	Converting machines, except cutters, platers	M	Pads	M
Screw	M	Gang Feed	M	Conveyors	U	Range Drives	*
Shaker	H	Green Chains	M	Couch	M	Slashers	M
		Live rolls	H	Cutters, Platers	H	Soapers	M
Cranes and Hoists		Log Deck	H	Cylinders	M	Spinners	M
Main Hoists		Log Haul - Incline	H	Dryers	M	Tenter Frames	M
Heavy Duty	H	Log Haul - Well type	H	Felt Stretcher	M	Washers	M
Medium Duty	M	Log turning device	H	Felt Whipper	H	Winders (Other than Batchers)	M
Reversing	M	Main Log Conveyor	H	Jordans	H	Yarn Prewparatory Machines	
Skip Hoists	M	Off Bearing Rolls	M	Log Haul	H	(Cards, Spinners, Slashers, etc)	M*
Trolley Drive	M*	Planer Feed Chains	M	Presses	U	Windlass	M*
Bridge Drive	M*	Planer Floor Chains	M	Pulp Machines	M		
		Planer Tilting Hoist	M	Reel	M		
Crushers		Re-saw Merry-go-round Conveyor	M	Stock Chests	M		
Ore	H	Roll Cases	H				
Stone	H	Slab Conveyor	H				
Dredges							
Cable Reels	M						

U - Unifrom Load

M - Moderate Load

H - Heavy Load

* In view of varying load conditions, it is suggested that these applications be carefully reviewed before a final selection is made

** Check Safety Codes and refer to Indosculp Customer Service

Speed Reducer Rating Chart

PS 25

200 Nm

Gearbox Type	i Ratio	n ₁ = 2800 rpm					n ₁ = 1400 rpm				
		n ₂ rpm	M _{n2} Nm	P _{n1} kW	R _{n1} N	R _{n2} N	n ₂ rpm	M _{n2} Nm	P _{n1} kW	R _{n1} N	R _{n2} N
PS 25 2S	5.02	558	80	4.9	370	660	279	120	3.7	350	760
PS 25 2S	5.92	473	90	4.7	410	670	236	120	3.1	450	800
PS 25 2S	6.47	433	90	4.3	490	720	216	120	2.9	560	860
PS 25 2S	7.88	355	100	3.9	570	760	178	120	2.3	760	1000
PS 25 2S	8.93	314	100	3.5	380	780	157	130	2.2	440	950
PS 25 2S	10.53	266	100	2.9	520	880	133	130	1.9	630	1080
PS 25 2S	11.51	243	110	2.9	520	860	122	130	1.7	720	1150
PS 25 2S	14.01	200	110	2.4	670	1000	100	130	1.4	830	1310
PS 25 2S	16.42	171	140	2.6	200	820	85	160	1.5	380	1150
PS 25 2S	19.35	145	150	2.4	300	880	72	160	1.3	580	1320
PS 25 2S	21.16	132	150	2.2	390	950	66	160	1.2	670	1400
PS 25 2S	25.75	109	160	1.9	510	1040	54	160	1.0	830	1600
PS 25 2S	31.27	90	140	1.4	310	1270	45	160	0.8	510	1720
PS 25 2S	36.86	76	150	1.3	410	1350	38	160	0.7	690	1910
PS 25 2S	40.29	69	160	1.2	430	1360	35	160	0.6	780	2020
PS 25 2S	49.04	57	160	1.0	590	1560	29	160	0.5	830	2260
PS 25 3S	60.10	46.6	180	0.9	500	1607	23.3	180	0.5	500	3200
PS 25 3S	69.60	40.2	180	0.8	420	1672	20.1	180	0.4	500	3200
PS 25 3S	82.00	34.1	180	0.7	471	1875	17.1	180	0.3	500	3200
PS 25 3S	89.70	31.2	180	0.6	496	1987	15.6	180	0.3	500	3200
PS 25 3S	109.10	25.7	180	0.5	500	239	12.8	180	0.3	500	3200
PS 25 3S	122.50	22.9	180	0.5	450	2298	11.4	180	0.2	500	3200
PS 25 3S	144.40	19.4	180	0.4	497	2537	9.7	180	0.2	500	3200
PS 25 3S	157.90	17.7	180	0.4	500	2668	8.9	180	0.2	500	3200
PS 25 3S	192.10	14.6	180	0.3	500	2967	7.3	180	0.1	500	3200
Gearbox Type	i Ratio	n ₁ = 900 rpm					n ₁ = 700 rpm				
		n ₂ rpm	M _{n2} Nm	P _{n1} kW	R _{n1} N	R _{n2} N	n ₂ rpm	M _{n2} Nm	P _{n1} kW	R _{n1} N	R _{n2} N
PS 25 2S	5.02	179	130	2.6	380	860	139	115	1.8	440	1040
PS 25 2S	5.92	152	150	2.5	410	840	118	136	1.8	420	970
PS 25 2S	6.47	139	160	2.5	450	840	108	143	1.7	500	990
PS 25 2S	7.88	114	180	2.3	560	860	89	143	1.4	830	1190
PS 25 2S	8.93	101	160	1.8	420	1030	78	143	1.2	450	1210
PS 25 2S	10.53	85	180	1.7	490	1040	66	143	1.0	750	1400
PS 25 2S	11.51	78	180	1.5	610	1120	61	143	1.0	830	1500
PS 25 2S	14.01	64	180	1.3	80	1230	50	143	0.8	830	1730
PS 25 2S	16.42	55	180	1.1	490	1380	43	143	0.7	750	1820
PS 25 2S	19.35	47	180	0.9	710	1560	36	143	0.6	830	2040
PS 25 2S	21.16	43	180	0.8	820	1670	33	143	0.5	830	2160
PS 25 2S	25.75	35	180	0.7	830	1900	27	143	0.4	830	2440
PS 25 2S	31.27	29	180	0.6	640	2030	22	143	0.4	830	2610
PS 25 2S	36.86	24	180	0.5	830	2250	19	143	0.3	830	2880
PS 25 2S	40.29	22	180	0.4	830	2380	17	143	0.3	830	3030
PS 25 2S	49.04	18	180	0.4	830	2650	14	143	0.2	830	3200
PS 25 3S	60.10	15.0	200	0.3	500	2788	11.6	143	0.2	500	3200
PS 25 3S	69.60	12.9	200	0.3	500	2910	10.1	143	0.2	500	3200
PS 25 3S	82.00	11.0	200	0.2	500	3195	8.5	143	0.1	500	3200
PS 25 3S	89.70	10.0	200	0.2	500	3200	7.8	143	0.1	500	3200
PS 25 3S	109.10	8.2	200	0.2	500	3200	6.4	143	0.1	500	3200
PS 25 3S	122.50	7.3	200	0.2	500	3200	5.7	143	0.1	500	3200
PS 25 3S	144.40	6.2	200	0.1	500	3200	4.8	143	0.1	500	3200
PS 25 3S	157.90	5.7	200	0.1	500	3200	4.4	143	0.1	500	3200
PS 25 3S	192.10	4.7	200	0.1	500	3200	3.6	143	0.1	500	3200

PS 30

350 Nm

Gearbox Type	i Ratio	n ₁ = 2800 rpm					n ₁ = 1400 rpm				
		n ₂ rpm	M _{n2} Nm	P _{n1} kW	R _{n1} N	R _{n2} N	n ₂ rpm	M _{n2} Nm	P _{n1} kW	R _{n1} N	R _{n2} N
PS 30 2S	5.11	548	160	9.7	530	1100	274	230	6.9	550	1350
PS 30 2S	6.22	450	180	8.9	710	1200	225	230	5.7	850	1500
PS 30 2S	6.93	404	180	8.0	930	1300	202	230	5.1	1000	1600
PS 30 2S	7.51	373	180	7.4	590	1300	186	230	4.7	700	1600
PS 30 2S	7.78	360	180	7.1	1000	1400	180	230	4.6	1000	1750
PS 30 2S	9.14	306	210	7.1	690	1300	153	260	4.4	920	1650
PS 30 2S	10.18	275	210	6.4	910	1400	138	260	3.9	1000	1800
PS 30 2S	11.43	245	210	5.7	1000	1550	122	260	3.5	1000	2000
PS 30 2S	12.62	222	220	5.4	460	1500	111	260	3.2	770	2000
PS 30 2S	15.37	182	240	4.8	710	1600	91	260	2.6	1000	2300
PS 30 2S	17.11	164	240	4.3	930	1750	82	260	2.3	1000	2500
PS 30 2S	19.21	146	240	3.9	1000	1900	73	260	2.1	1000	2600
PS 30 2S	24.19	116	250	3.2	430	2000	58	320	2.0	490	2500
PS 30 2S	29.45	95	300	3.1	460	2000	48	320	1.7	1000	2800
PS 30 2S	32.80	85	320	3.0	560	2000	43	320	1.5	1000	3050
PS 30 2S	36.82	76	320	2.7	810	2200	38	320	1.3	1000	3300
PS 30 3S	41.20	68.0	320	2.5	660	2350	34.0	320	1.2	660	3500
PS 30 3S	46.20	60.6	320	2.2	660	2550	30.3	320	1.1	660	3700
PS 30 3S	54.00	51.9	320	1.9	660	2650	25.9	320	0.9	660	3900
PS 30 3S	65.80	42.6	320	1.5	660	3050	21.3	320	0.8	660	4300
PS 30 3S	73.60	38.0	320	1.4	660	3250	19.0	320	0.7	660	4600
PS 30 3S	82.20	34.1	320	1.2	660	3500	17.0	320	0.6	660	4860
PS 30 3S	99.30	28.2	320	1.0	660	3700	14.1	320	0.5	660	5200
PS 30 3S	120.90	23.2	320	0.8	660	4150	11.6	320	0.4	660	5500
PS 30 3S	134.70	20.8	320	0.8	660	4400	10.4	320	0.4	660	5500
PS 30 3S	151.10	18.5	320	0.7	660	4700	9.3	320	0.3	660	5500
Gearbox Type	i Ratio	n ₁ = 900 rpm					n ₁ = 700 rpm				
		n ₂ rpm	M _{n2} Nm	P _{n1} kW	R _{n1} N	R _{n2} N	n ₂ rpm	M _{n2} Nm	P _{n1} kW	R _{n1} N	R _{n2} N
PS 30 2S	5.11	176	320	6.2	400	1370	137	250	3.8	430	1590
PS 30 2S	6.22	145	320	5.1	590	1230	113	250	3.1	900	1790
PS 30 2S	6.93	130	320	4.6	740	1210	101	250	2.8	1000	2080
PS 30 2S	7.51	120	320	4.2	530	1670	93	250	2.6	670	2050
PS 30 2S	7.78	116	320	4.1	1000	1610	90	250	2.5	1000	2270
PS 30 2S	9.14	98	320	3.5	870	1810	77	250	2.1	1000	2440
PS 30 2S	10.18	88	320	3.1	1000	1980	69	250	1.9	1000	2650
PS 30 2S	11.43	79	320	2.8	1000	2170	61	250	1.7	1000	2870
PS 30 2S	12.62	71	320	2.5	680	2170	55	250	1.5	1000	2890
PS 30 2S	15.37	59	320	2.1	1000	2520	46	250	1.3	1000	3310
PS 30 2S	17.11	53	320	1.9	1000	2720	41	250	1.1	1000	3540
PS 30 2S	19.21	47	320	1.7	1000	2930	36	250	1.0	1000	3800
PS 30 2S	24.19	37	320	1.3	1000	3180	29	250	0.8	1000	4120
PS 30 2S	29.45	31	320	1.1	1000	3600	24	250	0.7	1000	4620
PS 30 2S	32.80	27	320	1.0	1000	3840	21	250	0.6	1000	4900
PS 30 2S	36.82	24.4	320	0.9	1000	4090	19.0	250	0.5	1000	5210
PS 30 3S	41.20	21.8	350	0.9	660	4100	17.0	250	0.5	660	5450
PS 30 3S	46.20	19.5	350	0.8	660	4400	15.2	250	0.4	660	5500
PS 30 3S	54.00	16.7	350	0.7	660	4600	13.0	250	0.4	660	5500
PS 30 3S	65.80	13.7	350	0.5	660	5200	10.6	250	0.3	660	5500
PS 30 3S	73.60	12.2	350	0.5	660	5450	9.5	250	0.3	660	5500
PS 30 3S	82.20	10.9	350	0.4	660	5500	8.5	250	0.2	660	5500
PS 30 3S	99.30	9.1	350	0.4	660	5500	7.0	250	0.2	660	5500
PS 30 3S	120.90	7.4	350	0.3	660	5500	5.8	250	0.2	660	5500
PS 30 3S	134.70	6.7	350	0.3	660	5500	5.2	250	0.1	660	5500
PS 30 3S	151.10	6.0	350	0.2	660	5500	4.6	250	0.1	660	5500

PS 35

530 Nm

Gearbox Type	i Ratio	n ₁ = 2800 rpm					n ₁ = 1400 rpm				
		n ₂ rpm	M _{n2} Nm	P _{n1} kW	R _{n1} N	R _{n2} N	n ₂ rpm	M _{n2} Nm	P _{n1} kW	R _{n1} N	R _{n2} N
PS 35 2S	5.11	548	270	16.3	640	3690	274	340	10.3	900	4500
PS 35 2S	6.22	450	270	13.4	850	4060	225	340	8.4	1050	4950
PS 35 2S	6.93	404	270	12.0	910	460	202	340	7.6	1140	5200
PS 35 2S	7.51	373	270	11.1	830	433	186	340	7.0	1050	5280
PS 35 2S	7.78	360	270	10.7	960	4490	180	340	6.7	1200	5480
PS 35 2S	9.14	306	320	10.8	850	4460	153	400	6.7	1100	5460
PS 35 2S	10.18	275	320	9.7	910	4690	138	400	6.1	1150	5470
PS 35 2S	11.43	245	320	8.6	960	4940	122	400	5.4	1150	6050
PS 35 2S	12.62	222	360	8.8	660	4800	111	400	4.9	1050	6160
PS 35 2S	15.37	182	360	7.2	880	5290	91	400	4.0	1150	6750
PS 35 2S	17.11	164	360	6.5	940	5560	82	400	3.6	1150	7070
PS 35 2S	19.21	146	360	5.8	990	5850	73	400	3.2	1150	7200
PS 35 2S	24.19	116	480	6.1	370	5600	58	480	3.1	1150	7200
PS 35 2S	29.45	95	480	5.0	700	6190	48	480	2.5	1150	7200
PS 35 2S	32.80	85	480	4.5	860	6530	43	480	2.3	1150	7200
PS 35 2S	36.82	76	480	4.0	920	6890	38	480	2.0	1150	7200
PS 35 3S	41.20	68.0	480	3.7	700	7200	34.0	480	1.8	830	7200
PS 35 3S	46.20	60.6	480	3.3	750	7200	30.3	480	1.6	830	7200
PS 35 3S	54.00	51.9	480	2.8	650	7200	25.9	480	1.4	830	7200
PS 35 3S	65.80	42.6	480	2.3	750	7200	21.3	480	1.2	830	7200
PS 35 3S	73.60	38.0	480	2.1	830	7200	19.0	480	1.0	830	7200
PS 35 3S	82.20	34.1	480	1.8	830	7200	17.0	480	0.9	830	7200
PS 35 3S	99.30	28.2	480	1.5	750	7200	14.1	480	0.8	830	7200
PS 35 3S	120.90	23.2	480	1.3	830	7200	11.6	480	0.6	830	7200
PS 35 3S	134.70	20.8	480	1.1	830	7200	10.4	480	0.6	830	7200
PS 35 3S	151.10	18.5	480	1.0	830	7200	9.3	480	0.5	830	7200
Gearbox Type	i Ratio	n ₁ = 900 rpm					n ₁ = 700 rpm				
		n ₂ rpm	M _{n2} Nm	P _{n1} kW	R _{n1} N	R _{n2} N	n ₂ rpm	M _{n2} Nm	P _{n1} kW	R _{n1} N	R _{n2} N
PS 35 2S	5.11	176	480	9.3	590	4610	137	379	5.7	1110	5740
PS 35 2S	6.22	145	480	7.6	1060	5150	113	379	4.7	1160	6340
PS 35 2S	6.93	130	480	6.9	1160	5450	101	379	4.2	1160	6730
PS 35 2S	7.51	120	480	6.3	970	5510	93	379	3.9	1160	6810
PS 35 2S	7.78	116	480	6.1	1160	5770	90	379	3.8	1160	7110
PS 35 2S	9.14	98	480	5.2	1160	6100	77	379	3.2	1160	7200
PS 35 2S	10.18	88	480	4.7	1160	6430	69	379	2.9	1160	7200
PS 35 2S	11.43	79	480	4.2	1160	6790	61	379	2.6	1160	7200
PS 35 2S	12.62	71	480	3.8	1160	6900	55	379	2.3	1160	7200
PS 35 2S	15.37	59	480	3.1	1160	7200	46	379	1.9	1160	7200
PS 35 2S	17.11	53	480	2.8	1160	7200	41	379	1.7	1160	7200
PS 35 2S	19.21	47	480	2.5	1160	7200	36	378	1.5	1160	7200
PS 35 2S	24.19	37	480	2.0	1160	7200	29	379	1.2	1160	7200
PS 35 2S	29.45	31	480	1.6	1160	7200	24	378	1.0	1160	7200
PS 35 2S	32.80	27	480	1.5	1160	7200	21	378	0.9	1160	7200
PS 35 2S	36.82	24.4	480	1.3	1160	7200	19.0	378	0.8	1160	7200
PS 35 3S	41.20	21.8	530	1.3	830	7200	17.0	379	0.7	830	7200
PS 35 3S	46.20	19.5	530	1.2	830	7200	15.2	379	0.7	830	7200
PS 35 3S	54.00	16.7	530	1.0	830	7200	13.0	379	0.6	830	7200
PS 35 3S	65.80	13.7	530	0.8	830	7200	10.6	379	0.5	830	7200
PS 35 3S	73.60	12.2	530	0.7	830	7200	9.5	379	0.4	830	7200
PS 35 3S	82.20	10.9	530	0.7	830	7200	8.5	379	0.4	830	7200
PS 35 3S	99.30	9.1	530	0.5	830	7200	7.0	379	0.3	830	7200
PS 35 3S	120.90	7.4	530	0.4	830	7200	5.8	379	0.3	830	7200
PS 35 3S	134.70	6.7	530	0.4	830	7200	5.2	379	0.2	830	7200
PS 35 3S	151.10	6.0	530	0.4	830	7200	4.6	379	0.2	830	7200

Gearmotor Selection Charts

PS SERIES / Inline Helical Gearbox

0.09 kW / 0.12 HP

n_2 o/p rpm	M_2 Nm	Sf_1	i Ratio	Rn_2 N	IEC Model	Motor Size	Pole
4.7	174	1.1	192.1	3200	PS 25 3S 063 B5	63S	6
5.7	143	1.4	157.9	3200	PS 25 3S 063 B5	63S	6
6.2	131	1.6	144.4	3200	PS 25 3S 063 B5	63S	6
7.0	111	1.9	122.5	3200	PS 25 3S 063 B5	63S	6
8.0	99	2.1	109.1	3200	PS 25 3S 063 B5	63S	6
10.0	81	2.5	89.7	3200	PS 25 3S 063 B5	63S	6
11.0	74	2.8	82.0	3195	PS 25 3S 063 B5	63S	6
13.0	63	3.3	69.6	2910	PS 25 3S 063 B5	63S	6

n_2 o/p rpm	M_2 Nm	Sf_1	i Ratio	Rn_2 N	IEC Model	Motor Size	Pole
5.8	185	1.1	157.90	3200	PS 25 3S 063 B5	63L	6
6.3	169	1.2	144.40	3200	PS 25 3S 063 B5	63L	6
6.3	169	1.2	144.40	3200	PS 25 3S 063 B5	63L	6
7.3	146	1.2	192.10	3200	PS 25 3S 063 B5	63S	4
7.3	146	1.4	122.50	3200	PS 25 3S 063 B5	63L	6
8.3	128	1.6	109.10	3200	PS 25 3S 063 B5	63L	6
8.9	120	1.5	157.90	3200	PS 25 3S 063 B5	63S	4
9.7	110	1.6	144.40	3200	PS 25 3S 063 B5	63S	4
10.1	105	1.9	89.70	3200	PS 25 3S 063 B5	63L	6
11.1	96	2.1	82.00	3200	PS 25 3S 063 B5	63L	6
11.4	93	1.9	122.50	3200	PS 25 3S 063 B5	63S	4
12.8	83	2.2	109.10	3200	PS 25 3S 063 B5	63S	4
13.1	82	2.5	69.60	2910	PS 25 3S 063 B5	63L	6
15.6	68	2.6	89.70	3200	PS 25 3S 063 B5	63S	4
17.1	62	2.9	82.00	3200	PS 25 3S 063 B5	63S	4
20.1	53	3.4	69.60	3195	PS 25 3S 063 B5	63S	4

PS SERIES / Inline Helical Gearbox

0.18 kW / 0.25 HP

n_2 o/p rpm	M_2 Nm	Sf_1	i Ratio	Rn_2 N	IEC Model	Motor Size	Pole
7.3	224	0.8	192.10	3200	PS 25 3S 063 B5	63L	4
7.3	218	0.9	122.50	3200	PS 25 3S 063 B5	71S	6
8.2	194	1.0	109.10	3200	PS 25 3S 063 B5	71S	6
8.8	182	1.0	157.90	3200	PS 25 3S 063 B5	63L	4
9.6	166	1.1	144.40	3200	PS 25 3S 063 B5	63L	4
10.0	159	1.3	89.70	3200	PS 25 3S 063 B5	71S	6
10.9	146	1.4	82.00	3195	PS 25 3S 063 B5	71S	6
11.3	141	1.3	122.50	3200	PS 25 3S 063 B5	63L	4
12.7	126	1.4	109.10	3200	PS 25 3S 063 B5	63L	4
12.9	124	1.6	69.60	2910	PS 25 3S 063 B5	71S	6
15.0	109	1.8	60.10	2788	PS 25 3S 063 B5	71S	6
15.5	103	1.7	89.70	3200	PS 25 3S 063 B5	63L	4
17.1	94	1.9	82.00	3200	PS 25 3S 063 B5	63L	4
20.0	80	2.2	69.60	3200	PS 25 3S 063 B5	63L	4

PS SERIES / Inline Helical Gearbox

0.25 kW / 0.33 HP

n_2 o/p rpm	M_2 Nm	Sf_1	i Ratio	Rn_2 N	IEC Model	Motor Size	Pole
6.0	377	0.9	151.10	5500	PS 30 3S 071 B5	71L	6
6.0	377	1.4	151.10	7200	PS 35 3S 071 B5	71L	6
6.7	332	1.1	134.70	5500	PS 30 3S 071 B5	71L	6
6.7	332	1.6	134.70	7200	PS 35 3S 071 B5	71L	6
7.4	298	1.2	120.90	5500	PS 30 3S 071 B5	71L	6
7.4	298	1.8	120.90	7200	PS 35 3S 071 B5	71L	6
9.1	245	1.4	99.30	5500	PS 30 3S 071 B5	71L	6
9.1	245	2.2	99.30	7200	PS 35 3S 071 B5	71L	6
9.1	244	1.3	151.10	5500	PS 30 3S 071 B5	71S	4
9.1	244	2.0	151.10	7200	PS 35 3S 071 B5	71S	4
10.0	221	0.9	89.70	3200	PS 25 3S 071 B5	71L	6
10.2	217	1.5	134.20	5500	PS 30 3S 071 B5	71S	4
10.2	217	2.2	134.20	7200	PS 35 3S 071 B5	71S	4
10.9	203	1.7	82.20	5500	PS 30 3S 071 B5	71L	6
10.9	203	2.6	82.20	7200	PS 35 3S 071 B5	71L	6
11.0	202	1.0	82.00	3180	PS 25 3S 071 B5	71L	6
11.2	198	0.9	122.50	3140	PS 25 3S 071 B5	71S	4
11.4	195	1.6	120.90	5500	PS 30 3S 071 B5	71S	4
11.4	195	2.5	120.90	7200	PS 35 3S 071 B5	71S	4
12.3	181	1.9	73.30	5500	PS 30 3S 071 B5	71L	6
12.3	181	2.9	73.30	7200	PS 35 3S 071 B5	71L	6
12.6	176	1.0	109.10	3200	PS 25 3S 071 B5	71S	4
12.9	172	1.2	69.60	3120	PS 25 3S 071 B5	71L	6
13.7	162	2.2	65.80	5500	PS 30 3S 071 B5	71L	6
13.7	162	3.3	65.80	7200	PS 35 3S 071 B5	71L	6
13.8	160	2.0	99.30	5500	PS 30 3S 071 B5	71S	4
13.8	160	3.0	99.30	7200	PS 35 3S 071 B5	71S	4
15.0	148	1.3	60.10	3150	PS 25 3S 071 B5	71L	6
15.3	145	1.2	89.70	3120	PS 25 3S 071 B5	71S	4
16.7	133	2.4	82.20	5500	PS 30 3S 071 B5	71S	4
16.8	132	1.4	82.00	3070	PS 25 3S 071 B5	71S	4
18.8	118	2.7	73.30	5500	PS 30 3S 071 B5	71S	4
19.8	112	1.6	69.60	2980	PS 25 3S 071 B5	71S	4
20.9	106	3.0	65.80	5500	PS 30 3S 071 B5	71S	4
22.9	97	1.9	60.10	2960	PS 25 3S 071 B5	71S	4
28.0	81	2.0	49.04	2830	PS 25 3S 071 B5	71S	4
34.0	66	2.4	40.29	2710	PS 25 3S 071 B5	71S	4
37.0	61	2.6	36.86	2650	PS 25 3S 071 B5	71S	4
44.0	52	3.1	31.27	2540	PS 25 3S 071 B5	71S	4

n_2 o/p rpm	M_2 Nm	Sf_1	i Ratio	Rn_2 N	IEC Model	Motor Size	Pole
6.0	546	1.0	151.10	7200	PS 35 3S 080 B5	80S	6
6.8	486	1.1	134.70	7200	PS 35 3S 080 B5	80S	6
7.5	437	1.2	120.90	7200	PS 35 3S 080 B5	80S	6
9.1	363	1.3	151.10	7200	PS 35 3S 071 B5	71L	4
9.2	359	1.0	99.30	5500	PS 30 3S 080 B5	80S	6
9.2	359	1.5	99.30	7200	PS 35 3S 080 B5	80S	6
10.2	323	1.0	134.70	5500	PS 30 3S 071 B5	71L	4
10.2	323	1.5	134.70	7200	PS 35 3S 071 B5	71L	4
11.1	297	1.2	82.20	5500	PS 30 3S 080 B5	80S	6
11.1	297	1.8	82.20	7200	PS 35 3S 080 B5	80S	6
11.3	290	1.1	120.90	5500	PS 30 3S 071 B5	71L	4
11.3	290	1.7	120.90	7200	PS 35 3S 071 B5	71L	4
12.4	265	1.3	73.30	5500	PS 30 3S 080 B5	80S	6
12.4	265	2.0	73.30	7200	PS 35 3S 080 B5	80S	6
13.8	238	1.3	99.30	5500	PS 30 3S 071 B5	71L	4
13.8	238	2.0	99.30	7200	PS 35 3S 071 B5	71L	4
13.8	238	1.5	65.80	5500	PS 30 3S 080 B5	80S	6
13.8	238	2.2	65.80	7200	PS 35 3S 080 B5	80S	6
16.7	197	1.6	82.20	5500	PS 30 3S 071 B5	71L	4
16.7	197	2.4	82.20	7200	PS 35 3S 071 B5	71L	4
16.7	197	0.9	82.00	2610	PS 25 3S 071 B5	71L	4
18.7	176	1.8	73.30	5480	PS 30 3S 071 B5	71L	4
18.7	176	2.7	73.30	7200	PS 35 3S 071 B5	71L	4
19.7	167	1.1	69.60	2580	PS 25 3S 071 B5	71L	4
20.8	158	2.0	65.80	5340	PS 30 3S 071 B5	71L	4
20.8	158	3.0	65.80	7200	PS 35 3S 071 B5	71L	4
22.8	144	1.2	60.10	2630	PS 25 3S 071 B5	71L	4
25.4	130	2.5	54.00	5090	PS 30 3S 071 B5	71L	4
27.9	120	1.3	49.04	2560	PS 25 2S 071 B5	71L	4
29.6	111	2.9	46.20	4950	PS 30 3S 071 B5	71L	4
33.0	99	3.2	41.20	4800	PS 30 3S 071 B5	71L	4
34.0	99	1.6	40.29	2480	PS 25 2S 071 B5	71L	4
37.0	90	1.8	36.86	2440	PS 25 2S 071 B5	71L	4
44.0	77	2.1	31.27	2360	PS 25 2S 071 B5	71L	4
53.0	63	2.5	25.75	2310	PS 25 2S 071 B5	71L	4
65.0	52	3.1	21.16	2200	PS 25 2S 071 B5	71L	4
71.0	47	3.4	19.35	2150	PS 25 2S 071 B5	71L	4

n_2 o/p rpm	M_2 Nm	Sf_1	i Ratio	Rn_2 N	IEC Model	Motor Size	Pole
9.3	527	1.0	99.30	7200	PS 35 3S 080 B5	80L	6
10.2	477	1.0	134.70	7200	PS 35 3S 080 B5	80S	4
11.2	437	1.2	82.20	7200	PS 35 3S 080 B5	80L	6
11.4	428	1.1	120.90	7200	PS 35 3S 080 B5	80S	4
12.6	389	1.4	73.30	7200	PS 35 3S 080 B5	80L	6
13.9	352	0.9	99.30	5000	PS 30 3S 080 B5	80S	4
13.9	352	1.4	99.30	7200	PS 35 3S 080 B5	80S	4
14.0	349	1.0	65.80	5080	PS 30 3S 080 B5	80L	6
14.0	349	1.5	65.80	7200	PS 35 3S 080 B5	80L	6
16.8	291	1.1	82.20	5060	PS 30 3S 080 B5	80S	4
16.8	291	1.6	82.20	7200	PS 35 3S 080 B5	80S	4
18.8	259	1.2	73.30	4970	PS 30 3S 080 B5	80S	4
18.8	259	1.9	73.30	7200	PS 35 3S 080 B5	80S	4
21.0	233	1.4	65.80	4870	PS 30 3S 080 B5	80S	4
21.0	233	2.1	65.80	7200	PS 35 3S 080 B5	80S	4
25.5	191	1.7	54.00	4680	PS 30 3S 080 B5	80S	4
25.5	191	2.5	54.00	7200	PS 35 3S 080 B5	80S	4
28.1	177	0.9	49.04	2150	PS 25 2S 080 B5	80S	4
29.8	164	2.0	46.20	4630	PS 30 3S 080 B5	80S	4
29.8	164	2.9	46.20	7200	PS 35 3S 080 B5	80S	4
34.0	146	2.2	41.20	4510	PS 30 3S 080 B5	80S	4
34.0	146	3.3	41.20	7200	PS 35 3S 080 B5	80S	4
34.0	146	1.1	40.29	2130	PS 25 2S 080 B5	80S	4
37.0	133	1.2	36.86	2120	PS 25 2S 080 B5	80S	4
37.0	133	2.4	36.82	4400	PS 30 2S 080 B5	80S	4
42.0	119	2.7	32.80	4280	PS 30 2S 080 B5	80S	4
44.0	113	1.4	31.27	2080	PS 25 2S 080 B5	80S	4
47.0	107	3.0	29.45	4160	PS 30 2S 080 B5	80S	4
54.0	93	1.7	25.75	2090	PS 25 2S 080 B5	80S	4
65.0	77	2.1	21.16	2020	PS 25 2S 080 B5	80S	4
71.0	70	2.3	19.35	1980	PS 25 2S 080 B5	80S	4
84.0	59	2.7	16.42	1920	PS 25 2S 080 B5	80S	4
99.0	51	2.6	14.01	1880	PS 25 2S 080 B5	80S	4
120.0	42	3.1	11.51	1800	PS 25 2S 080 B5	80S	4
131.0	38	3.4	10.53	1760	PS 25 2S 080 B5	80S	4

PS SERIES / Inline Helical Gearbox

0.75 kW / 1 HP

n_2 o/p rpm	M_2 Nm	Sf_1	i Ratio	Rn_2 N	IEC Model	Motor Size	Pole
12.6	530	1.0	73.30	7200	PS 35 3S 090 B5	90S	6
14.0	476	1.1	65.80	7200	PS 35 3S 090 B5	90S	6
14.1	473	1.0	99.30	7200	PS 35 3S 080 B5	80L	4
17.0	391	1.2	82.20	7200	PS 35 3S 080 B5	80L	4
19.1	349	0.9	73.30	4400	PS 30 3S 080 B5	80L	4
19.1	349	1.4	73.30	7200	PS 35 3S 080 B5	80L	4
21.3	313	1.0	65.80	4360	PS 30 3S 080 B5	80L	4
21.3	313	1.5	65.80	7200	PS 35 3S 080 B5	80L	4
25.9	257	1.2	54.00	4240	PS 30 3S 080 B5	80L	4
25.9	257	1.9	54.00	7200	PS 35 3S 080 B5	80L	4
30.0	220	1.5	46.20	4270	PS 30 3S 080 B5	80L	4
30.0	220	2.2	46.20	7200	PS 35 3S 080 B5	80L	4
34.0	196	1.6	41.20	4180	PS 30 3S 080 B5	80L	4
34.0	196	2.4	41.20	7200	PS 35 3S 080 B5	80L	4
38.0	179	1.8	36.82	4100	PS 30 2S 080 B5	80L	4
38.0	179	2.7	36.82	7200	PS 35 2S 080 B5	80L	4
43.0	159	2.0	32.80	4010	PS 30 2S 080 B5	80L	4
43.0	159	3.0	32.80	7200	PS 35 2S 080 B5	80L	4
45.0	152	1.1	31.27	1780	PS 25 2S 080 B5	80L	4
48.0	143	2.2	29.45	3920	PS 30 2S 080 B5	80L	4
48.0	143	3.4	29.45	7200	PS 35 2S 080 B5	80L	4
54.0	125	1.3	25.75	1850	PS 25 2S 080 B5	80L	4
58.0	118	2.7	24.19	3740	PS 30 2S 080 B5	80L	4
66.0	103	1.6	21.16	1820	PS 25 2S 080 B5	80L	4
72.0	94	1.7	19.35	1800	PS 25 2S 080 B5	80L	4
73.0	93	2.8	19.21	3600	PS 30 2S 080 B5	80L	4
82.0	83	3.1	17.11	3500	PS 30 2S 080 B5	80L	4
85.0	80	2.0	16.42	1750	PS 25 2S 080 B5	80L	4
91.0	75	3.5	15.37	3400	PS 30 2S 080 B5	80L	4
100.0	68	1.9	14.01	1750	PS 25 2S 080 B5	80L	4
122.0	56	2.3	11.51	1680	PS 25 2S 080 B5	80L	4
133.0	51	2.5	10.53	1650	PS 25 2S 080 B5	80L	4
157.0	43	3.0	8.93	1590	PS 25 2S 080 B5	80L	4
178.0	38	3.1	7.88	1570	PS 25 2S 080 B5	80L	4
200.0	34	3.2	14.01	1530	PS 25 2S 080 B5	80S	2

n_2 o/p rpm	M_2 Nm	Sf_1	i Ratio	Rn_2 N	IEC Model	Motor Size	Pole
19.1	511	0.9	73.30	7200	PS 35 3S 090 B5	90S	4
21.3	459	1.0	65.80	7200	PS 35 3S 090 B5	90S	4
25.9	377	1.3	54.00	7200	PS 35 3S 090 B5	90S	4
30.0	323	1.0	46.20	3670	PS 30 3S 090 B5	90S	4
30.0	323	1.5	46.20	7200	PS 35 3S 090 B5	90S	4
34.0	287	1.1	41.20	3640	PS 30 3S 090 B5	90S	4
34.0	287	1.7	41.20	7200	PS 35 3S 090 B5	90S	4
38.0	262	1.2	36.82	3610	PS 30 2S 090 B5	90S	4
38.0	262	1.8	36.82	7200	PS 35 2S 090 B5	90S	4
43.0	234	1.4	32.80	3560	PS 30 2S 090 B5	90S	4
43.0	234	2.1	32.80	7200	PS 35 2S 090 B5	90S	4
48.0	210	1.5	29.45	3510	PS 30 2S 090 B5	90S	4
48.0	210	2.3	29.45	7200	PS 35 2S 090 B5	90S	4
58.0	172	1.9	24.19	3400	PS 30 2S 090 B5	90S	4
58.0	172	2.8	24.19	7200	PS 35 2S 090 B5	90S	4
66.0	151	1.1	21.16	1470	PS 25 2S 090 B5	90S	4
72.0	138	1.2	19.35	1480	PS 25 2S 090 B5	90S	4
73.0	137	1.9	19.21	3350	PS 30 2S 090 B5	90S	4
73.0	137	2.9	19.21	7200	PS 35 2S 090 B5	90S	4
82.0	122	2.1	17.11	3260	PS 30 2S 090 B5	90S	4
82.0	122	3.3	17.11	7200	PS 35 2S 090 B5	90S	4
85.0	117	1.4	16.42	1470	PS 25 2S 090 B5	90S	4
91.0	110	2.4	15.37	3190	PS 30 2S 090 B5	90S	4
100.0	100	1.3	14.01	1530	PS 25 2S 090 B5	90S	4
111.0	90	2.9	12.62	3040	PS 30 2S 090 B5	90S	4
122.0	82	1.6	11.51	1500	PS 25 2S 090 B5	90S	4
123.0	81	3.2	11.43	3010	PS 30 2S 090 B5	90S	4
133.0	75	1.7	10.53	1480	PS 25 2S 090 B5	90S	4
157.0	64	2.0	8.93	1440	PS 25 2S 090 B5	90S	4
171.0	59	2.7	16.42	1430	PS 25 2S 080 B5	80L	2
178.0	56	2.1	7.88	1440	PS 25 2S 090 B5	90S	4
200.0	50	2.2	14.01	1420	PS 25 2S 080 B5	80L	2
216.0	46	2.6	6.47	1390	PS 25 2S 090 B5	90S	4
236.0	42	2.8	5.92	1360	PS 25 2S 090 B5	90S	4
243.0	41	2.7	11.51	1360	PS 25 2S 080 B5	80L	2
266.0	38	2.9	10.53	1330	PS 25 2S 080 B5	80L	2
279.0	36	3.4	5.02	1320	PS 25 2S 090 B5	90S	4
313.0	32	3.5	8.93	1280	PS 25 2S 080 B5	80L	2

PS SERIES / Inline Helical Gearbox

1.5 kW / 2 HP

n_2 o/p rpm	M_2 Nm	Sf_1	i Ratio	Rn_2 N	IEC Model	Motor Size	Pole
26.1	511	0.9	54.00	7200	PS 35 3S 090 B5	90L	4
30.0	437	1.1	46.20	7200	PS 35 3S 090 B5	90L	4
34.0	389	1.2	41.20	7200	PS 35 3S 090 B5	90L	4
38.0	355	0.9	36.82	3060	PS 30 2S 090 B5	90L	4
38.0	355	1.4	36.82	7200	PS 35 2S 090 B5	90L	4
43.0	317	1.0	32.80	3060	PS 30 2S 090 B5	90L	4
43.0	317	1.5	32.80	7200	PS 35 2S 090 B5	90L	4
48.0	284	1.1	29.45	3050	PS 30 2S 090 B5	90L	4
48.0	284	1.7	29.45	7200	PS 35 2S 090 B5	90L	4
58.0	234	1.4	24.19	3000	PS 30 2S 090 B5	90L	4
58.0	234	2.1	24.19	7200	PS 35 2S 090 B5	90L	4
73.0	185	1.4	19.21	3050	PS 30 2S 090 B5	90L	4
73.0	185	2.2	19.21	7200	PS 35 2S 090 B5	90L	4
82.0	165	1.6	17.11	3000	PS 30 2S 090 B5	90L	4
82.0	165	2.4	17.11	7200	PS 35 2S 090 B5	90L	4
86.0	158	1.0	16.42	1160	PS 25 2S 090 B5	90L	4
92.0	148	1.8	15.37	2940	PS 30 2S 090 B5	90L	4
92.0	148	2.7	15.37	7200	PS 35 2S 090 B5	90L	4
101.0	135	1.0	14.01	1270	PS 25 2S 090 B5	90L	4
112.0	122	2.1	12.62	2860	PS 30 2S 090 B5	90L	4
112.0	122	3.3	12.62	7200	PS 35 2S 090 B5	90L	4
122.0	111	1.2	11.51	1280	PS 25 2S 090 B5	90L	4
123.0	110	2.4	11.43	2830	PS 30 2S 090 B5	90L	4
134.0	102	1.3	10.53	1280	PS 25 2S 090 B5	90L	4
138.0	98	2.6	10.18	2760	PS 30 2S 090 B5	90L	4
154.0	88	2.9	9.14	2700	PS 30 2S 090 B5	90L	4
158.0	86	1.5	8.93	1270	PS 25 2S 090 B5	90L	4
164.0	83	2.9	17.11	2670	PS 30 2S 090 B5	90S	2
171.0	80	2.0	16.42	1270	PS 25 2S 090 B5	90S	2
179.0	76	1.6	7.88	1300	PS 25 2S 090 B5	90L	4
181.0	75	3.1	7.78	2620	PS 30 2S 090 B5	90L	4
182.0	75	3.2	15.37	2600	PS 30 2S 090 B5	90S	2
188.0	72	3.2	7.51	2570	PS 30 2S 090 B5	90L	4
200.0	68	1.6	14.01	1290	PS 25 2S 090 B5	90S	4
203.0	67	3.4	6.93	2550	PS 30 2S 090 B5	90L	4
218.0	62	1.9	6.47	1270	PS 25 2S 090 B5	90L	4
238.0	57	2.1	5.92	1250	PS 25 2S 090 B5	90L	4
243.0	56	2.0	11.51	1250	PS 25 2S 090 B5	90S	2
266.0	51	2.1	10.53	1230	PS 25 2S 090 B5	90S	2
281.0	48	2.5	5.02	1220	PS 25 2S 090 B5	90L	4
313.0	43	2.5	8.93	1200	PS 25 2S 090 B5	90S	2
355.0	38	2.6	7.88	1190	PS 25 2S 090 B5	90S	2
433.0	31	3.2	6.47	1140	PS 25 2S 090 B5	90S	2
473.0	29	3.5	5.92	1120	PS 25 2S 090 B5	90S	2

PS SERIES / Inline Helical Gearbox**2.2 kW / 3 HP**

n_2 o/p rpm	M_2 Nm	Sf_1	i Ratio	Rn_2 N	IEC Model	Motor Size	Pole
38.0	521	0.9	36.82	7200	PS 35 2S 100 B5	100L	4
43.0	464	1.0	32.80	7200	PS 35 2S 100 B5	100L	4
48.0	417	1.2	29.45	7200	PS 35 2S 100 B5	100L	4
58.0	342	0.9	24.19	2320	PS 30 2S 100 B5	100L	4
58.0	342	1.4	24.19	7200	PS 35 2S 100 B5	100L	4
73.0	272	1.0	19.21	2540	PS 30 2S 100 B5	100L	4
73.0	272	1.5	19.21	7200	PS 35 2S 100 B5	100L	4
82.0	242	1.1	17.11	2540	PS 30 2S 100 B5	100L	4
82.0	242	1.7	17.11	7200	PS 35 2S 100 B5	100L	4
92.0	218	1.2	15.37	2520	PS 30 2S 100 B5	100L	4
92.0	218	1.8	15.37	7200	PS 35 2S 100 B5	100L	4
112.0	179	1.5	12.62	2480	PS 30 2S 100 B5	100L	4
112.0	179	2.2	12.62	7200	PS 35 2S 100 B5	100L	4
123.0	162	1.6	11.43	2530	PS 30 2S 100 B5	100L	4
123.0	162	2.5	11.43	7200	PS 35 2S 100 B5	100L	4
138.0	144	1.8	10.18	2490	PS 30 2S 100 B5	100L	4
138.0	144	2.8	10.18	7110	PS 35 2S 100 B5	100L	4
154.0	129	2.0	9.14	2450	PS 30 2S 100 B5	100L	4
154.0	129	3.1	9.14	6920	PS 35 2S 100 B5	100L	4
164.0	122	2.0	17.11	2440	PS 30 2S 090 B5	90L	2
164.0	122	3.0	17.11	6830	PS 35 2S 090 B5	90L	2
171.0	117	14.0	16.42	990	PS 25 2S 090 B5	90L	2
181.0	110	2.1	7.78	2420	PS 30 2S 100 B5	100L	4
181.0	110	3.1	7.78	6690	PS 35 2S 100 B5	100L	4
183.0	109	2.2	15.37	2390	PS 30 2S 090 B5	90L	2
183.0	109	3.3	15.37	6650	PS 35 2S 090 B5	90L	2
188.0	106	2.2	7.51	2360	PS 30 2S 100 B5	100L	4
188.0	106	3.2	7.51	6590	PS 35 2S 100 B5	100L	4
201.0	100	1.1	14.01	1070	PS 25 2S 090 B5	90L	2
203.0	98	2.3	6.93	2360	PS 30 2S 100 B5	100L	4
203.0	98	3.5	6.93	6490	PS 35 2S 100 B5	100L	4
223.0	90	2.7	12.62	2300	PS 30 2S 090 B5	90L	2
227.0	88	2.6	6.22	2310	PS 30 2S 100 B5	100L	4
244.0	82	1.3	11.51	1070	PS 25 2S 090 B5	90L	2
246.0	81	2.6	11.43	2290	PS 30 2S 090 B5	90L	2
267.0	75	1.5	10.53	1060	PS 25 2S 090 B5	90L	2
276.0	72	3.2	5.11	2210	PS 30 2S 100 B5	100L	4
276.0	72	2.9	10.18	2230	PS 30 2S 090 B5	90L	2
307.0	95	3.2	9.14	2170	PS 30 2S 090 B5	90L	2
315.0	63	1.7	8.93	1050	PS 25 2S 090 B5	90L	2
357.0	56	1.8	7.88	1060	PS 25 2S 090 B5	90L	2
361.0	55	3.3	7.78	2110	PS 30 2S 090 B5	90L	2
374.0	53	3.4	7.51	2070	PS 30 2S 090 B5	90L	2
434.0	46	2.2	6.47	1030	PS 25 2S 090 B5	90L	2
475.0	42	2.4	5.92	1020	PS 25 2S 090 B5	90L	2
559.0	36	2.8	5.02	990	PS 25 2S 090 B5	90L	2

PS SERIES / Inline Helical Gearbox

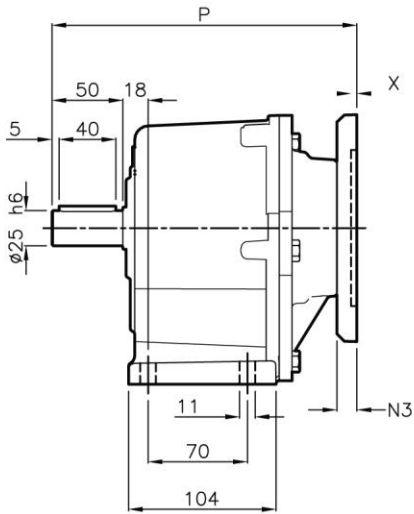
3 kW / 4 HP

n_2 o/p rpm	M_2 Nm	Sf_1	i Ratio	Rn_2 N	IEC Model	Motor Size	Pole
58.0	467	1.0	24.19	7200	PS 35 2S 100 B5	100L	4
73.0	371	1.1	19.21	7200	PS 35 2S 100 B5	100L	4
82.0	330	1.2	17.11	7200	PS 35 2S 100 B5	100L	4
92.0	297	1.3	15.37	7200	PS 35 2S 100 B5	100L	4
112.0	244	1.1	12.62	2070	PS 30 2S 100 B5	100L	4
112.0	244	1.6	12.62	7030	PS 35 2S 100 B5	100L	4
123.0	221	1.2	11.43	2190	PS 30 2S 100 B5	100L	4
123.0	221	1.8	11.43	6990	PS 35 2S 100 B5	100L	4
138.0	197	1.3	10.18	2180	PS 30 2S 100 B5	100L	4
138.0	197	2.0	10.18	6820	PS 35 2S 100 B5	100L	4
154.0	176	1.5	9.14	2160	PS 30 2S 100 B5	100L	4
154.0	176	2.3	9.14	6670	PS 35 2S 100 B5	100L	4
167.0	163	1.5	17.11	2180	PS 30 2S 100 B5	100L	2
167.0	163	2.2	17.11	6570	PS 35 2S 100 B5	100L	2
181.0	150	1.5	7.78	2180	PS 30 2S 100 B5	100L	4
181.0	150	2.3	7.78	6470	PS 35 2S 100 B5	100L	4
186.0	146	1.6	15.37	2150	PS 30 2S 100 B5	100L	2
186.0	146	2.5	15.37	6410	PS 35 2S 100 B5	100L	2
188.0	145	1.6	7.51	2120	PS 30 2S 100 B5	100L	4
188.0	145	2.3	7.51	6370	PS 35 2S 100 B5	100L	4
203.0	134	1.7	6.93	2150	PS 30 2S 100 B5	100L	4
203.0	134	2.5	6.93	6300	PS 35 2S 100 B5	100L	4
227.0	120	2.0	12.62	2090	PS 30 2S 100 B5	100L	2
227.0	120	3.0	12.62	6120	PS 35 2S 100 B5	100L	2
227.0	120	1.9	6.22	2110	PS 30 2S 100 B5	100L	4
227.0	120	2.8	6.22	6140	PS 35 2S 100 B5	100L	4
250.0	109	1.9	11.43	2110	PS 30 2S 100 B5	100L	2
250.0	109	2.9	11.43	6020	PS 35 2S 100 B5	100L	2
276.0	99	2.3	5.11	2040	PS 30 2S 100 B5	100L	4
276.0	99	3.4	5.11	5850	PS 35 2S 100 B5	100L	4
281.0	97	2.2	10.18	2070	PS 30 2S 100 B5	100L	2
281.0	97	3.3	10.18	5850	PS 35 2S 100 B5	100L	2
313.0	87	2.4	9.14	2030	PS 30 2S 100 B5	100L	2
368.0	74	2.4	7.78	1980	PS 30 2S 100 B5	100L	2
381.0	71	2.5	7.51	1940	PS 30 2S 100 B5	100L	2
413.0	66	2.7	6.93	1930	PS 30 2S 100 B5	100L	2
460.0	59	3.0	6.22	1890	PS 30 2S 100 B5	100L	2

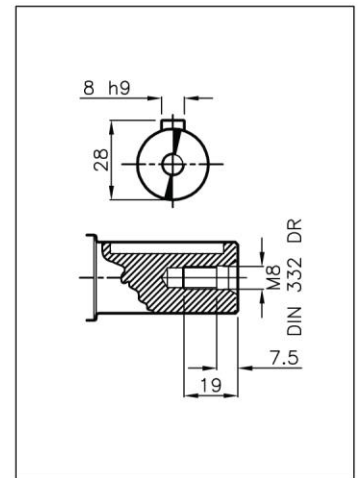
PS SERIES / Inline Helical Gearbox**3.7 kW / 5 HP**

n_2 o/p rpm	M_2 Nm	Sf_1	i Ratio	Rn_2 N	IEC Model	Motor Size	Pole
90.0	373	1.1	15.37	6750	PS 35 2S 112 B5	112M	4
110.0	305	1.3	12.62	6160	PS 35 2S 112 B5	112M	4
122.5	274	1.5	11.43	6050	PS 35 2S 112 B5	112M	4
137.5	244	1.6	10.18	5470	PS 35 2S 112 B5	112M	4
153.2	219	1.8	9.14	5460	PS 35 2S 112 B5	112M	4
179.9	187	1.8	7.78	5480	PS 35 2S 112 B5	112M	4
186.4	180	1.9	7.51	5280	PS 35 2S 112 B5	112M	4
202.0	166	2.0	6.93	5200	PS 35 2S 112 B5	112M	4
225.1	149	2.3	6.22	4950	PS 35 2S 112 B5	112M	4
274.0	123	2.8	5.11	4500	PS 35 2S 112 B5	112M	4

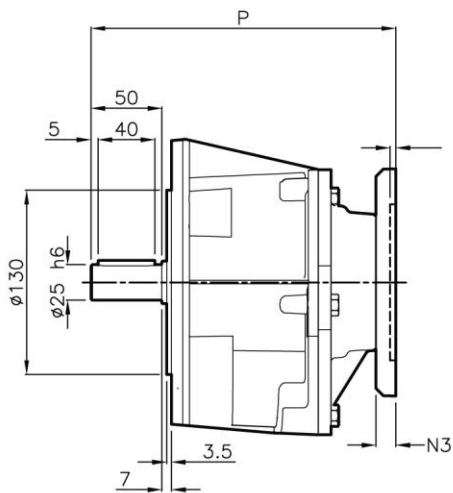
P 2S
P 3S



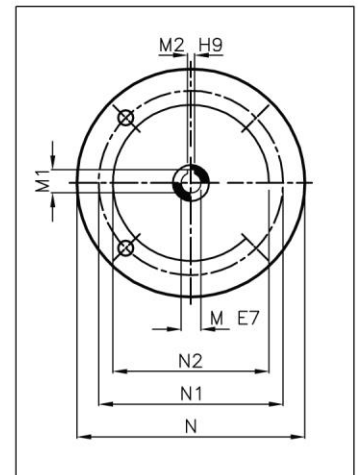
Output



F 2S
F 3S



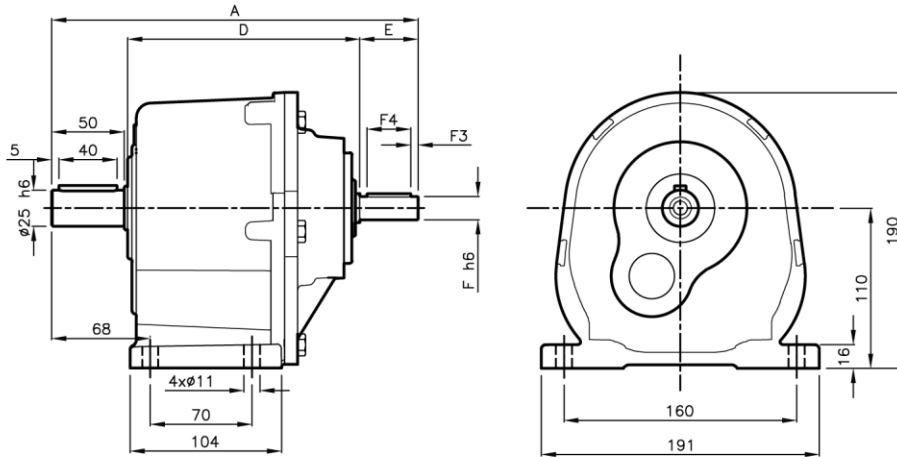
Input



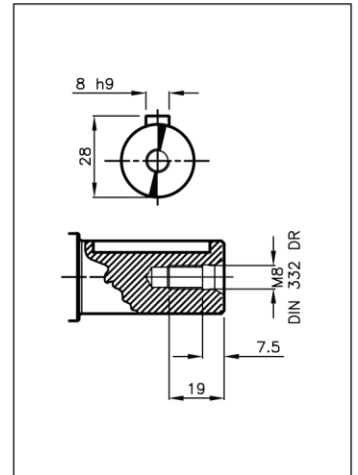
PS 25

	M	M1	M2	N	N1	N2	N3	N4	X	P	F	kg
PS 25 2S_071	14	16.3	5	160	130	110	-	M8x16	5	215	215	14
PS 25 2S_080	19	21.8	6	200	165	130	-	M10x12	5	220	220	14
PS 25 2S_090	24	27.3	8	200	165	130	-	M10x12	5	220	220	14
PS 25 3S_063	11	12.8	4	140	115	95	-	M8x19	3.5	214	214	13.5
PS 25 3S_071	14	16.3	5	160	130	110	-	M8x16	3.5	214	214	13.5

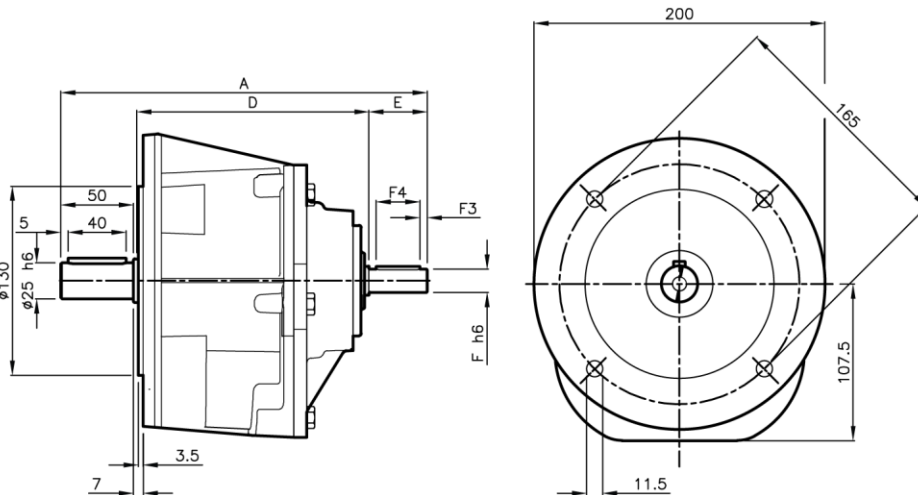
P 2S HS
P 3S HS



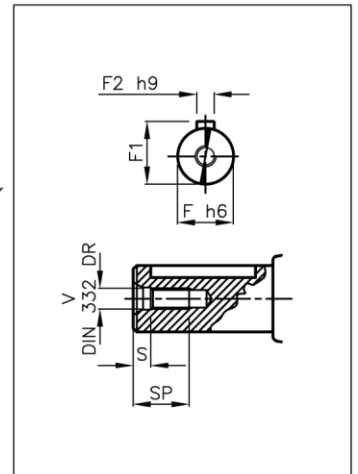
Output



F 2S HS
F 3S HS



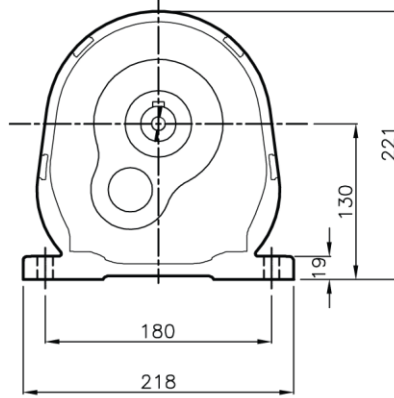
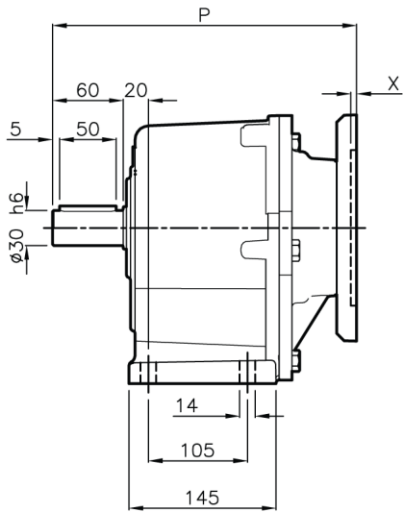
Input



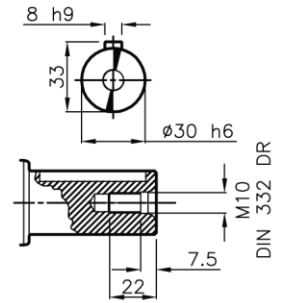
PS 25

	A	D	E	F	F1	F2	F3	F4	V	S	SP	KG
PS 25 P 2S_HS	252	162	40	19	21.5	6	5	30	M6	5	16	14
PS 25 F 2S_HS	252	162	40	19	21.5	6	5	30	M6	5	16	14
PS 25 P 3S_HS	250	160	40	16	18	5	5	30	M6	5	16	13.5
PS 25 F 3S_HS	250	160	40	16	18	5	5	30	M6	5	16	13.5

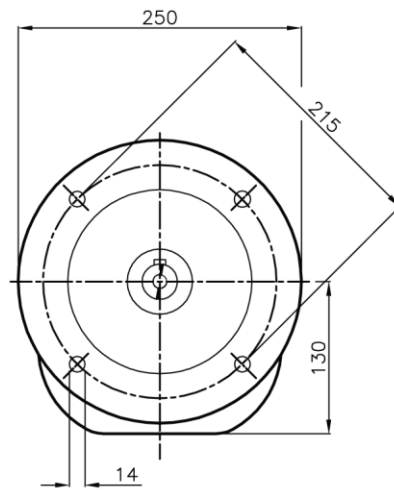
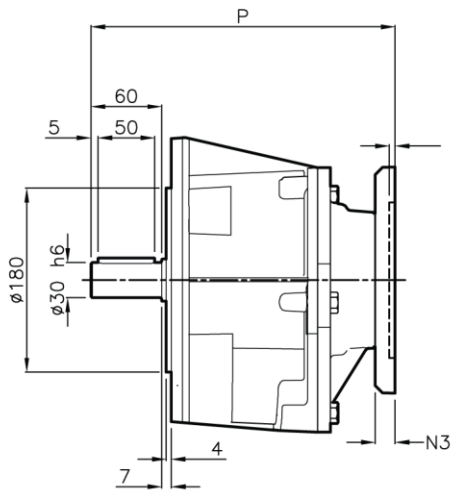
P 2S
P 3S



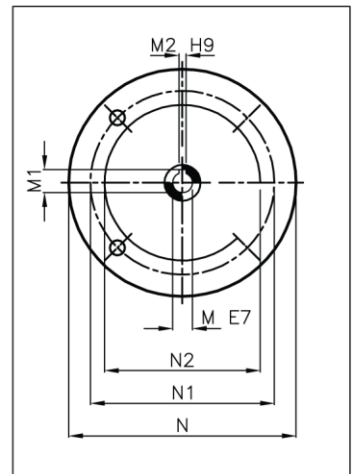
Output



F 2S
F 3S



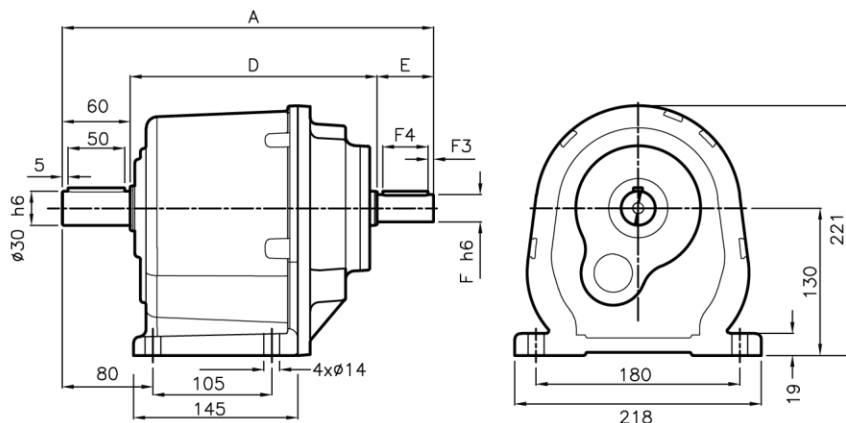
Input



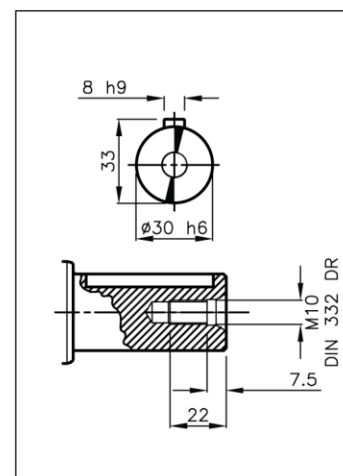
PS 30

	M	M1	M2	N	N1	N2	N3	N4	X	P	F	kg
PS 30 2S_071	14	16.3	5	160	130	110	-	M8x16	5	283	283	23
PS 30 2S_080	19	21.8	6	200	165	130	-	M10x12	4	283	283	23
PS 30 2S_090	24	27.3	8	200	165	130	-	M10x12	4	283	283	23
PS 30 2S_100	28	31.3	8	250	215	180	-	M12x16	5	283	283	23
PS 30 2S_112	28	31.3	8	250	215	180	-	M12x16	5	283	283	23
PS 30 3S_071	14	16.3	5	160	130	110	-	M8x19	5	275	275	22.5
PS 30 3S_080	19	21.8	5	200	165	130	-	M10x19	5	280	280	22.5
PS 30 3S_090	24	27.3	5	200	165	130	-	M10x19	5	280	280	22.5

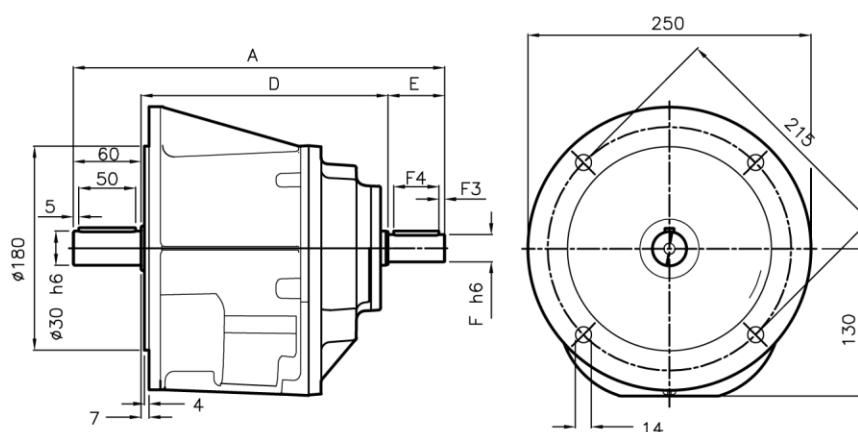
P 2S HS
P 3S HS



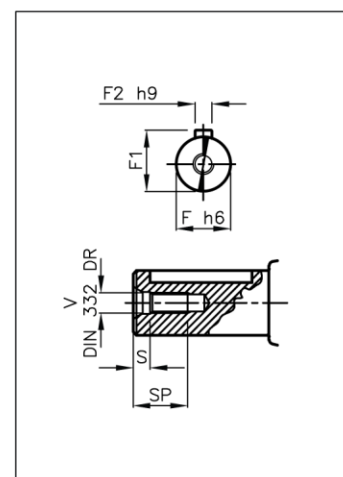
Output



F 2S HS
F 3S HS



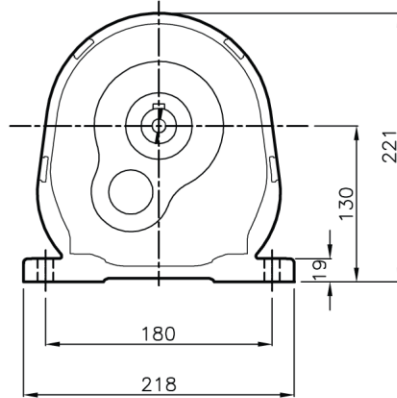
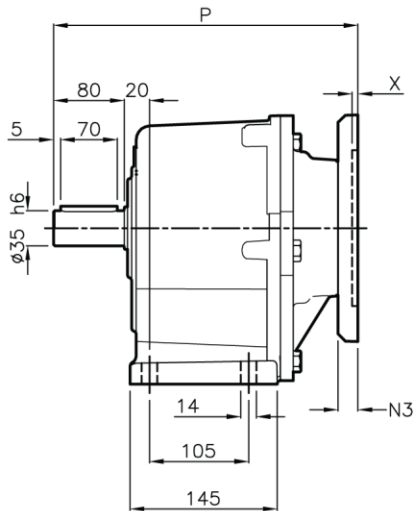
Input



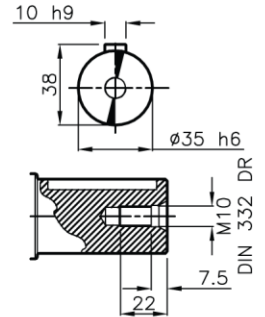
PS 30

	A	D	E	F	F1	F2	F3	F4	V	S	SP	KG
PS 30 P 2S_HS	329	219	50	24	27	8	5	40	M8	6	19	23
PS 30 F 2S_HS	329	219	50	24	27	8	5	40	M8	6	19	23
PS 30 P 3S_HS	313	213	40	19	21.5	6	5	30	M6	5	16	22.5
PS 30 F 3S_HS	313	213	40	19	21.5	6	5	30	M6	5	16	22.5

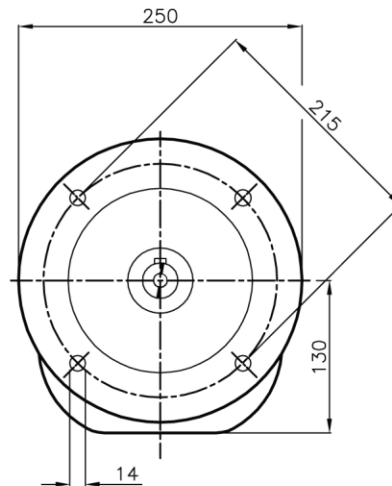
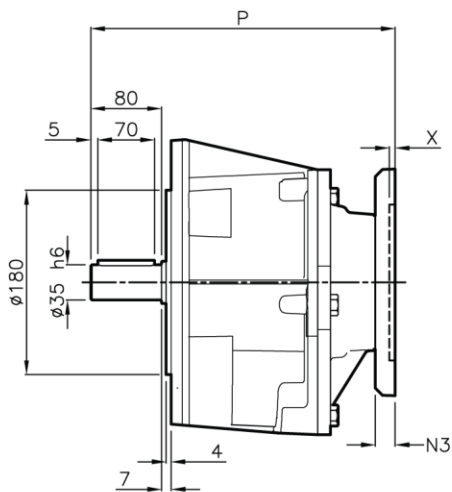
P 2S
P 3S



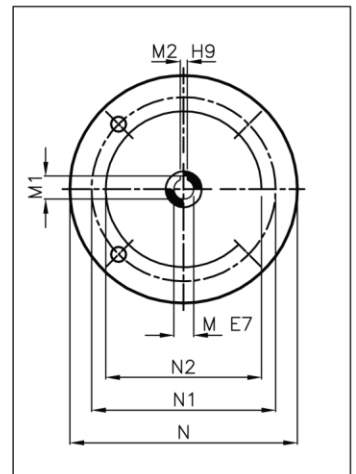
Output



F 2S
F 3S



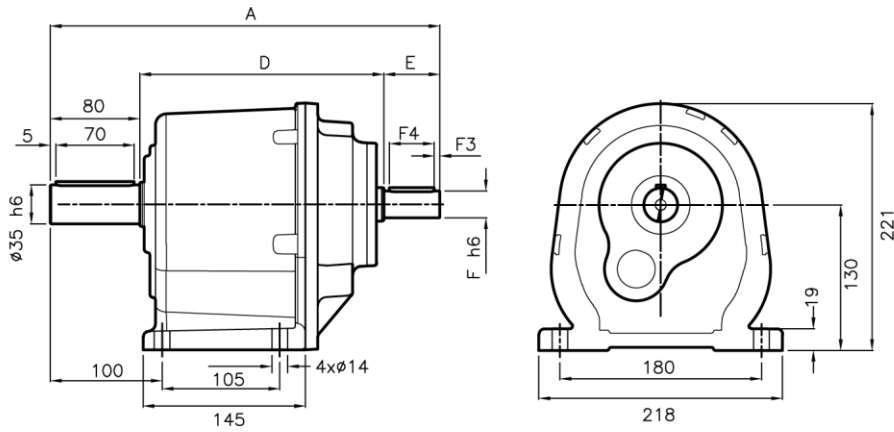
Input



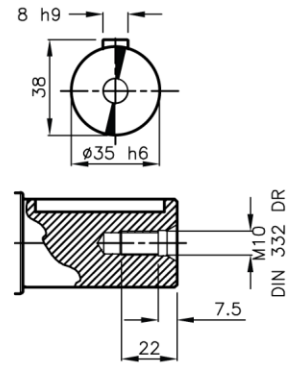
PS 35

	M	M1	M2	N	N1	N2	N3	N4	X	P	F	kg
PS 35 2S_071	14	16.3	5	160	130	110	-	M8x16	5	303	303	24
PS 35 2S_080	19	21.8	6	200	165	130	-	M10x12	4	303	303	24
PS 35 2S_090	24	27.3	8	200	165	130	-	M10x12	4	303	303	24
PS 35 2S_100	28	31.3	8	250	215	180	-	M12x16	5	303	303	24
PS 35 2S_112	28	31.3	8	250	215	180	-	M12x16	5	303	303	24
PS 35 3S_071	14	16.3	5	160	130	110	-	M8x19	5	295	295	23.5
PS 35 3S_080	19	21.8	5	200	165	130	-	M10x19	5	300	300	23.5
PS 35 3S_090	24	27.3	5	200	165	130	-	M10x19	5	300	300	23.5

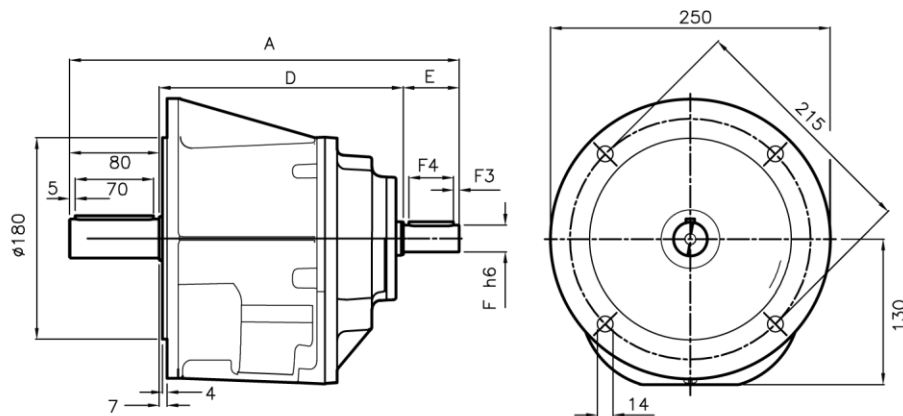
P 2S HS
P 3S HS



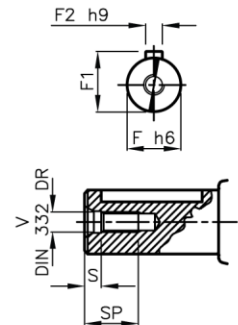
Output



F 2S HS
F 3S HS



Input



PS 35

	A	D	E	F	F1	F2	F3	F4	V	S	SP	KG
PS 35 P 2S_HS	349	219	50	24	27	8	5	40	M8	6	19	24
PS 35 F 2S_HS	349	219	50	24	27	8	5	40	M8	6	19	24
PS 35 P 3S_HS	333	213	40	19	21.5	6	5	30	M6	5	16	23.5
PS 35 F 3S_HS	333	213	40	19	21.5	6	5	30	M6	5	16	23.5

Notes



ABOUT US

Established in 1984, Indosculp is a **IATF 16949** certified company. Based in Ahmednagar, we have 40,000 Sq. Ft State of the Art Manufacturing Facility. Indosculp specializes in the production of In-line Helical gearboxes for industrial, quarry and mining applications.

The PS Series gear units are designed in unibox housing to consume optimal installation space and can operate in harsh environments with minimum downtimes. Strict quality control measures are adopted at each stage of manufacturing and assembly of the gearbox.

Excellence is our number one priority.

We use the latest technologies to optimize our daily production. Indosculp is fully committed to a more sustainable workplace and supports various local initiatives.

All Indosculp employees pay utmost attention to smallest details, to ensure that our customers receive products with unrivalled quality.

FACILITIES

- > 40,000 Sq. Ft State of the Art Manufacturing Facility
- > Gear Cutting Machines: CNC Gear Hobbing Machine, CNC Shaving Machine, CNC Gear Grinding Machine, etc
- > Seal Quench Heat Treatment Plant
- > VMCs & HMCs
- > QA Facilities: CNC Gear Tester, CMM, Contracer, Leakage Testing Machine, UTM, Hardness Testers, Test Rig, etc



APPLICATIONS



Oven, Dryer, Fryer



Mixer, Kneader, Crushers



Bagging Machines & Conveyors



Palletizing Machines



Wrapping Machines



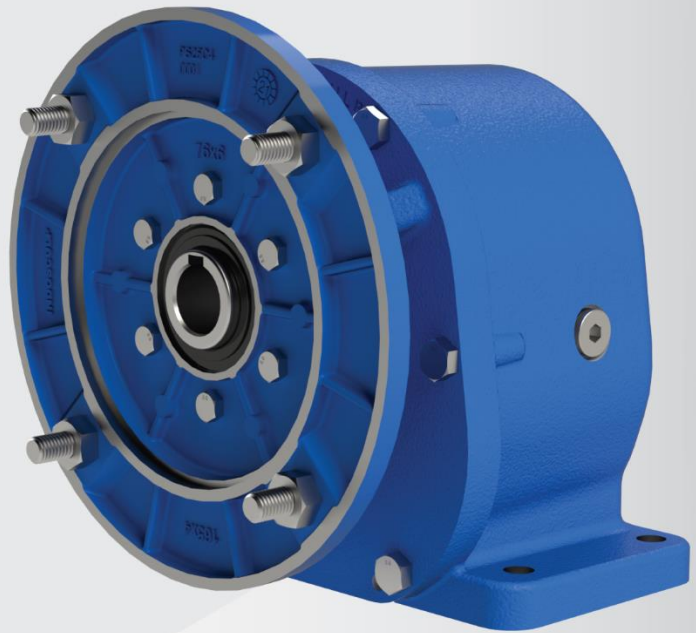
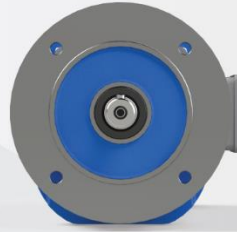
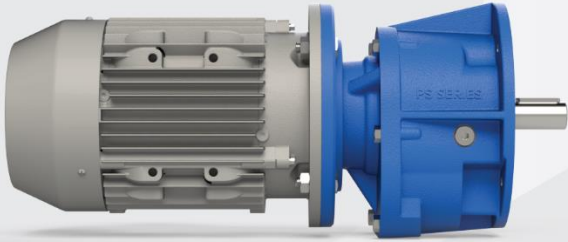
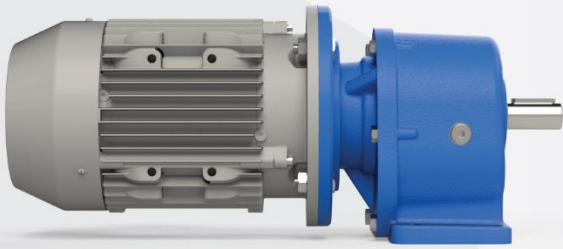
Drag Conveyor



Feeding Systems, Washing & Sorting Systems



Overhead Cranes, Gantry Cranes



INDOSCULP

IATF 16949 Certified Company

**INDOSCULP AUTOCOMP
PRIVATE LIMITED**

- 📍 A-67, MIDC - 414111
Ahmednagar (MH), India
- ☎ +91 88888 14505
- ✉ marketing@indosculp.com
- 🌐 www.indosculp.com